

French Doors

Perth Window & Door Replacement Company

Ask us how
'Low E Glass'
can pay for itself
by reducing your
energy bills.



Modern, functional and easy to use French Doors

The beauty of our French Doors is the way they bring the outdoors indoors. Full, uninterrupted glass panels add light, space and picturebook outlooks, especially when teamed with side lights or full width top lights.

Strong, practical features include a wide profile, heavy duty hinges and a flush bolt for entry through one door while leaving the other safely closed.

Security locks and handles give added protection and, for even greater convenience, a common key can be supplied for all doors.

Glass can be selected from a number of high-performance options, which cater for Australia's extreme climate and energy rating requirements.



French doors create uninterrupted views without compromising quality, security and appeal

Features



Full 10 Years
Warranty on our
Windows and Doors

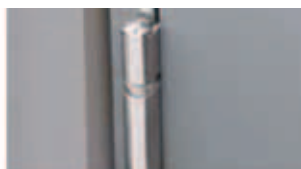
- A comprehensive 10 year warranty for your peace of mind
- Manufactured exclusively from non-corrosive materials
- Easily coupled to the Hi Lite Aluminium Products range of windows and doors
- Stainless steel butt hinges
- Multipoint locking system
- High quality flush bolt hardware
- Energy rated to suit various climates
- Each french door is made to order, allowing the widest choice of customizing options
- Full compliance with Australian Building Standards 2047

Options

- Colonial Bars and Highlights
- Open in or open out options
- Amplimesh security doors and screens



Enjoy peace of mind with the choice of a single or multipoint locking system.



Stainless steel butt hinges are standard and provide increased corrosion resistance.



Choose from open in or open out to suit your home and lifestyle.



High quality flush bolt hardware.





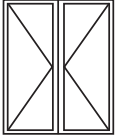



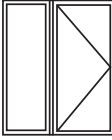
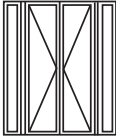
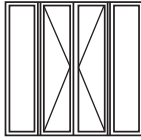

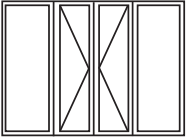
Perth
Window & Door
Replacement Company

French Doors

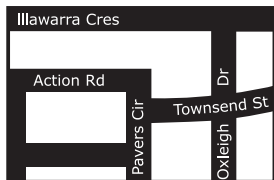
Standard Specifications

Non standard available on request

BRICKS		3.5	3.5	5	6	7.5
		850	850	1210	1450	1810
25	2143					

BRICKS		6	7.5	8.5	10	11	12.5
		1450	1810	2050	2410	2650	3110
25	2143	850 	850 	1210 	1210 	1450 	1810 

Fixed and awning window highlights are available. Fixed glass sidelights, awning, double hung or louvre window couples sidelights are also available options.



**Visit our
showroom**
5 Action Road, Malaga.
Mon to Fri: 8am - 5pm
Sat: 9am - Noon

When you employ the **Perth Window & Door Replacement Company**, you've chosen a company committed to delivering the best customer service, the best window and door solutions, and the best value for your money.

Ph 9249 2234



Sec.Lic.
24337

perthwindowreplacement.com.au